



TELECOM

Making your Mobile Net "Work" Better

HEADQUARTERS

OFFICE: 15<sup>th</sup> floor,Rongchao Mansion,Longcheng Street,Longgang ,Shenzhen ,China

Tel: +86 755 8482 7256

E-mail: sales@zdtelecom.com

Web: [www.ibscomponents.com](http://www.ibscomponents.com)  
[www.zdtelecom.com](http://www.zdtelecom.com)

## DCS1800-75M+WCDMA2100-60M-43dBm Dual Band Direct Coupling FOR Specifications-ZD180615

Items		Specifications	
		Uplink	Downlink
Frequency Range (MHz)	DCS1800 Band	1710 ~ 1785	1805 ~ 1880
	WCDMA2100 Band	1920 ~ 1980	2110 ~ 2170
Max. Output Power (dBm) (Max. Gain, Center Frequency )		-10±2	43±2
Max. Gain (dB) ( Center Frequency ) @Optical Loss=0dB		55±3	55±3
ATT Adjustable Range (dB)		0 ~ 30	0 ~ 30
ATT Adjustable Step (dB)		1	1
ATT Adjustable Error (dB)		≤  ±1.5	≤  ±1.5
ALC Range (dB)		0 ~ 20	0 ~ 20
ALC Accuracy (dB)		≤  ±2.0	≤  ±2.0
Frequency Error (ppm)		≤± 0.05	≤± 0.05
Ripple In Band (dB)at 25°C	DCS1800 Band	≤ 7.0	≤ 7.0
	WCDMA2100 Band	≤ 6.0	≤ 6.0
3rd Inter-modulation attenuation (dBc) (Max. Gain, Dual tone interval of 600KHz)		≤ -40	≤ -40
EVM (%)@WCDMA2100		≤12.5	≤12.5
PCDE (dB) @WCDMA2100		≤-35	≤-35
Out of band Spurious Emission (dBm) at offset ±10MHz	9kHz~150kHz	≤ -36/1KHz	≤ -36/1KHz
	150kHz~30MHz	≤ -36/10KHz	≤ -36/10KHz
	30MHz~1GHz	≤ -36@100KHz	≤ -36@100KHz
	1GHz~12.75GHz	≤ -5@1MHz	≤ -5@1MHz
Time Delay (us)		≤5	≤5
VSWR(Power up, Min Gain, Pin=-30dBm)	DCS1800 Band	≤ 1.8	≤ 1.8
	UMTS2100 Band	≤ 1.8	≤ 1.8
Noise Figure (dB) (Max. Gain)		≤ 7.0	/



TELECOM

Making your Mobile Net "Work" Better

## HEADQUARTERS

OFFICE: 15<sup>th</sup> floor, Rongchao Mansion, Longcheng Street, Longgang, Shenzhen, China

Tel: +86 755 8482 7256

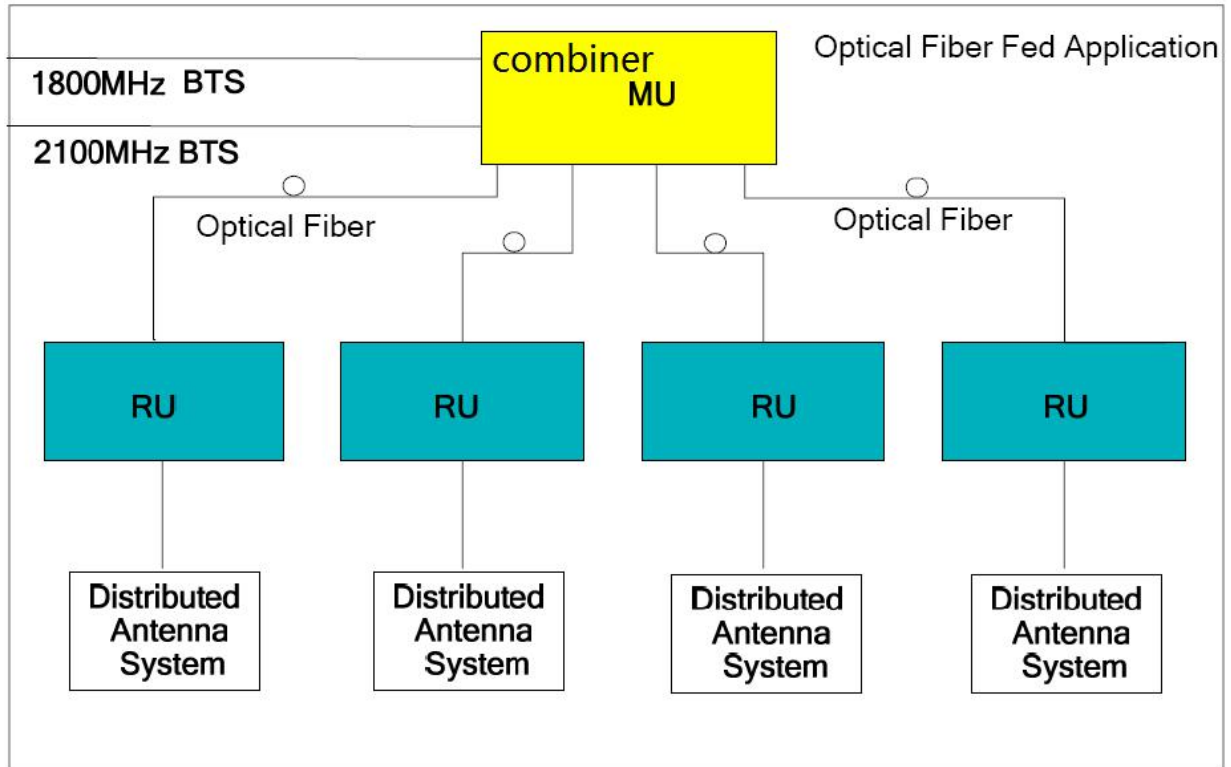
E-mail: sales@zdtelcom.com

Web: www.ibscomponents.com  
www.zdtelcom.com

Absolute Maximum Input RF Power(1 min)		UL: ≤-10dBm	DL: ≤10dBm
Optical Specifications	Optical Connector	MU	FC/APC*4
		RU	FC/APC*1
	Optical Wavelength (nm)	MU	TX: 1550 / RX: 1310; Single Mode
		RU	TX: 1310 / RX: 1550; Single Mode
	Optical Output Power (dBm)	MU	-2±3
		RU	4.5±3
Fiber optic path attenuation range(dB)		0~7	
Radio Connector		MU	N(f)*2 (D-BTS*1,W-BTS*1)
		RU	N(f)*1
Weight		MU	6
		RU	35
Impedance (Ω)		50	
Power Supply		MU	AC220V,50Hz
		RU	AC220V,50Hz
Power Consumption (W)		MU	≤60
		RU	≤350
Dimension (mm)		MU	482*300*44(19"1U)
		RU	489*409*186.5
Environmental Class		MU	IP20(Indoor)
		RU	IP55(Outdoor)
Operating Temperature (°C)		MU	-5 ~ +45
		RU	-25 ~ +55
Humidity (%)		MU	0~80
		RU	0~95
Enclosure Cooling		MU	convection
		RU	FAN
Installation Type		MU	Rack
		RU	Wall
Control Function	MU	Local with RS-232(DB9) Remote with Wireless (GSM Modem)	

	RU	Local with RS-232(DB9)
--	----	------------------------

**Schematic diagram**



**Outline Dimension:**

**MU、Passive Unit**

